

the Toast Control™

Instruction Book - Suits all LTA620, LTA650 & LTA670 Models



Breville®



Contents

- 2 IMPORTANT SAFEGUARDS
- 7 Components
- 8 Functions
- 10 Care & Cleaning/Storage

IMPORTANT SAFEGUARDS

At Breville we are very safety conscious. We design and manufacture consumer products with the safety of you, our valued customer, foremost in mind. In addition we ask that you exercise a degree of care when using any electrical appliance and adhere to the following precautions.

BREVILLE RECOMMENDS SAFETY FIRST

READ ALL INSTRUCTIONS BEFORE USE AND SAVE FOR FUTURE REFERENCE

- Remove and safely discard any packaging material and promotional labels before using the toaster for the first time.
- To eliminate a choking hazard for young children, remove and safely discard the protective cover fitted to the power plug of this toaster.
- Do not place the toaster near the edge of a bench or table during operation. Ensure the surface is level, clean and free of water and other substances.
- Do not operate the toaster on a sink drain board.
- Do not place the toaster on or near a hot gas or electric burner, or where it could touch a heated oven.
- Keep the toaster clear of walls and other heat sensitive materials such as cloths and curtains.
- Always ensure the toaster is properly assembled before use. Follow the instructions provided in this book.
- The toaster is not intended to be operated by means of an external timer or separate remote control system.

- Bread may burn, therefore this toaster must not be used near or below curtains or other combustible material and it must be supervised at all times when in use.
- Ensure that bread to be toasted is the correct size for the toaster and does not protrude above the bread slice opening. Ensure the bread is not too thick or long that it will jam or wedge in the bread carriage.
- Never cover the toaster when it is plugged into the power outlet or while hot.
- Do not place cold toast directly on top of toasting slots to warm toast as this may prevent correct air circulation and damage the toaster.
- Do not move the toaster whilst in operation or when hot.
- The temperature of accessible surfaces may be high when the toaster is in operation and also for some time after use.
- When operating the toaster, keep a minimum distance of 10cm of space from the surrounding sides & 20cm above.
- Do not place the toaster in enclosed areas.
- Never operate toaster on its side. Never add any food substance to the, muffins or crumpets as this can lead to electrocution or fire. This toaster is for toasting bread, crumpets and muffins only. Placing other items in the toaster can lead to electrocution or a fire.
- Do not leave unattended when in use as toast may jam or wedge in the bread carriage. Never attempt to extract toast or any other item that has jammed or wedged in the toaster with a knife or any other object as contact with live elements may not only damage the element but cause electrocution.
- Do not touch hot surfaces. Use side areas and oven mitt for lifting and carrying the toaster.
- Do not leave the toaster unattended when toasting.
- Do not attempt to dislodge food when the toaster is plugged in.

- Always turn the power off at the power outlet and then remove the plug from the power outlet before attempting to move the toaster, when the toaster is not in use and before cleaning or storing. Allow to cool before putting on or taking off parts.
- Do not operate the toaster without the removable crumb tray(s) in place.
- The crumb tray(s) should be regularly cleaned. Do not allow breadcrumbs to accumulate in the bottom of the toaster. Failure to clean the crumb tray(s) regularly may result in a fire hazard. To clean any additional crumbs, turn the toaster upside down over a sink and shake crumbs free.
- Oversized foods, metal foil packages, or utensils must not be inserted into the toaster as they may cause a fire or risk of electric shock.
- Never cover the toaster whilst it is plugged into the power outlet or while hot.
- Do not use harsh abrasive, caustic cleaners or oven cleaners when cleaning the toaster.

- Do not clean with metal scouring pads. Pieces can break off the pad and touch electrical parts creating an electric shock hazard.
- The use of attachments not sold or recommended by Breville may cause fire, electric shock or injury.
- Keep the toaster clean. Follow the cleaning instructions provided in this book.

IMPORTANT SAFEGUARDS FOR ALL ELECTRICAL APPLIANCES

- Fully unwind the power cord before use.
- Connect only to 230V or 240V power outlet.
- Do not let the power cord hang over the edge of a bench or table, touch hot surfaces or become knotted.
- To protect against electric shock, do not immerse the power cord, power plug or appliance in water or any other liquid, unless it is recommended in the cleaning instructions.

- The appliance is not intended for use by persons (including children) with reduced physical, sensory or mental capabilities, or lack of experience and knowledge, unless they have been given supervision or instruction concerning use of the appliance, by a person responsible for their safety.
 - Children should be supervised to ensure that they do not play with the appliance.
 - It is recommended to inspect the appliance regularly. Do not use the appliance if the power supply cord, plug, connector or appliance becomes damaged in anyway. Return the entire appliance to the nearest authorised Breville service centre for examination and/or repair.
 - Any maintenance other than cleaning should be performed at an authorised Breville service centre.
 - This appliance is for household use only. Do not use this appliance for other than its intended use. Do not use in moving vehicles or boats. Do not use outdoors.
- Misuse may cause injury.**
- The installation of a residual current device (safety switch) is recommended to provide additional safety protection when using electrical appliances. It is advisable that a safety switch with a rated residual operating current not exceeding 30mA be installed in the electrical circuit supplying the appliance. See your electrician for professional advice.
 - Always turn the appliance to the OFF position, switch off at the power outlet and unplug at the power outlet when the appliance is not in use.
 - Before cleaning, always turn the appliance to the OFF position, switch off at the power outlet, unplug at the power outlet and remove the power cord, if detachable, from the appliance and allow all parts to cool.
 - Do not place this appliance on or near a heat source, such as hot plate, oven or heaters.
 - Position the appliance at a minimum distance of 20cm away from walls, curtains and other heat or steam sensitive materials and provide adequate space above and on all sides for air circulation.

 **WARNING**

- Never operate the toaster on its side.
- Never add any food substance to the bread, bagel or any other item prior to toasting (such as butter, jelly or marmalade). This may cause a fire as well as lead to electrocution.
- This toaster is for toasting bread, bagels, English muffins and toaster pastries only. Placing other food items in the toaster can cause a fire as well as lead to electrocution.

 **WARNING**

- Do not leave unattended when in use as toast may jam or wedge in the bread carriage.
- Never attempt to extract toast or any other item that has jammed or wedged in the toaster with a knife or any other object as contact with live elements may not only damage the element, but cause electrocution.
- Do not operate the toaster without the removable crumb tray(s) in place. The crumb tray(s) should be regularly cleaned. Do not allow crumbs to build up in crumb tray(s).

**FOR HOUSEHOLD USE ONLY
SAVE THESE INSTRUCTIONS**



Components



LTA620 - 2 Slice toaster



LTA670 - 4 Slice Side by Side toaster



LTA 650 - 4 Slice Long Slot toaster



- A. Self-centring, extra wide and deep toasting slots.
- B. **LIFT & LOOK™/HIGH LIFT LEVER**
Use the lever during the toasting cycle to raise or lower the carriage so you can check the toasting progress without interrupting the toasting cycle. Once the toasting cycle has completed, raise the high lift lever to make it easier to remove smaller items.
- C. **A BIT MORE™** If your toast comes up too light, one press adds a little extra toasting time.
- D. **FROZEN/FRUIT BREAD button**
Press Frozen/Fruit bread button to toggle

- between these two modes. Frozen setting activates additional toasting time required to toast frozen bread.
- E. **CANCEL button**
- F. **Browning Control**
Select the desired browning setting from '1' lightest to '6' darkest.
- G. Non-slip feet

NOT SHOWN

- Power cord storage
- Slide out crumb tray(s)



Functions

BEFORE FIRST USE

Before first use, remove any packaging material or promotional labels attached to your toaster.

1. Insert the power plug into a 220-240 volt power outlet and then turn the power on.

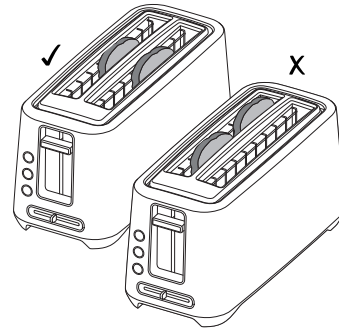


NOTE

When using the toaster for the first time, we suggest toasting on the maximum setting without bread. The toaster may emit a thin smoke or distinct odour on initial use. This is normal and not detrimental to the performance of the toaster .

2. For the 2 slice toaster, place only 1 slice of bread or crumpet or half an English muffin or bagel into each of the toasting slots. Ensure the bread halves are not too large or thick to fit the slots. If less than 2 slices are inserted, the usual browning setting needs to be reduced to avoid the toast burning.
For the 4 slice side by side toaster, place only 1 slice of bread or crumpet or half an English muffin or bagel into each of the toasting slots. Ensure the bread halves are not too large or thick to fit the slots. If less than 4 slices are inserted, the usual browning setting needs to be reduced to avoid the toast burning.

For the 4 slice long slot toaster, place 2 slices of bread or crumpets or 2 halves of an English muffin or bagel into each of the toasting slots. Ensure the bread halves are not too large or thick to fit the slots. If less than 4 slices are inserted, the usual browning setting needs to be reduced to avoid the toast burning. If toasting 2 slices of bread in the 4 slice toaster, we recommend placing the bread as per the illustration below for optimal toasting results.



3. Select the desired browning setting using the browning control lever. Colour settings range from '1' lightest to '6' darkest.



NOTE

When using the toaster for the first time, we suggest toasting the bread on setting 3 or 4. Varying types of bread and personal preference may require a different browning setting, for example, raisin toast and white light-textured breads may require a lower setting, whilst heavier textured rye breads may require a darker setting.

4. Press the high lift lever down until it locks into position. The toasting cycle will automatically commence.



NOTE

If the toaster is not plugged in and switched on at the power outlet, the high lift lever will not lock into position.

- The toaster stops toasting when it has reached the end of the selected browning setting. The toast will automatically rise from the slots. The toasting process can be stopped at any time by pressing the CANCEL button.



WARNING

Do not leave unattended when in use as toast may jam or wedge in the bread carriage. Never attempt to extract toast, crumpets or muffins or any other item that has jammed or wedged in the toaster with a knife or any other object, as contact with live elements may not only damage the elements, but can cause electrocution.

‘LIFT & LOOK’™ FEATURE

This feature can be used to check on the progress of the toasting cycle without interrupting it. Simply raise the lever to check on the browning progress of the toast and lower it down again if you wish to continue to toast.

HIGH LIFT LEVER

Once the toasting cycle has completed, to remove smaller items such as crumpets and muffins, lift the 'high lift' lever approximately 1cm above the starting position. In the unlikely event that the bread, crumpet or muffins become jammed, switch the power off at the power outlet. Remove the power plug from the power outlet and then use the high lift lever to carefully ease the bread out of the toaster, ensuring that you do not damage the self-centring slots or the elements.

‘A BIT MORE’™ SETTING

For Extra Toasting & Reheating

Use this feature after the toasting cycle has completed if your toast requires a bit more toasting or needs reheating. Once the toast has popped up, lower the HIGH LIFT lever back down and then press the A BIT MORE™ button.



NOTE

The ‘A Bit More’™ setting is to bypass the normal toasting cycle and toast for approximately 30 seconds with the toast setting or approximately 15 seconds with the fruit bread setting.



NOTE

The ‘A Bit More’™ setting can be used with either the toast or fruit bread setting.

FROZEN/FRUIT BREAD SETTING

Toasting Frozen Bread

To toast frozen bread, place the bread into the toasting slots, select the browning setting you would normally select if the bread was fresh, lower the 'high lift' lever until it locks into position and then press the FROZEN/FRUIT BREAD button once. The button will illuminate white and cooking time of your selection will be automatically extended.

To toast fruit bread

- Place the fruit bread into the toasting slots.
- To start the toasting process, press down the lever until it locks into place.
- To select the FRUIT BREAD setting, press the FROZEN/FRUIT BREAD button twice and the button will illuminate red.
- Select the desired setting by adjusting the browning control.
- The browning settings range from '1' (lightest) to '6' (darkest).
- Once the toasting cycle has finished and the carriage has risen and locked into the raised position, the toast is ready. Remove the fruit toast.

CANCEL BUTTON

To Stop Toasting

The toasting and defrosting cycles can be cancelled at any time by pressing the CANCEL button. The toaster cycle will stop and automatically raise the toast.



Care & Cleaning/ Storage

CARE AND CLEANING

1. Switch the toaster off at the power outlet and then remove the power plug from the power outlet. Allow the toaster to cool completely before cleaning.
2. To clean any crumbs from the toaster, remove the crumb tray(s) (located at the back of the toaster) by pulling outwards. Empty and replace the crumb tray(s) before using the toaster again. Replace the crumb tray(s) by sliding inwards until locked into position.
3. To remove any additional crumbs, turn the toaster upside down over a bin and shake crumbs free.
4. Wipe the outside of the toaster with a slightly dampened soft cloth and then dry it with a soft dry cloth to dry completely.



NOTE

Do not clean with metal scouring pads. Pieces can break off the pad and touch electrical parts creating an electric shock hazard.

STORAGE

Switch toaster off at the power outlet and remove the power plug from the power outlet. Allow the toaster to cool completely before storing. Follow the directions for cleaning and store in an upright position on a flat surface on a bench top or in an accessible cupboard. Do not store anything on top of the toaster.



WARNING

Do not use the toaster without the slide-out crumb tray(s) in position. Do not allow crumbs to build up in the crumb tray(s). Failure to clean the crumb tray(s) regularly may result in a fire hazard.



Notes

Breville Customer Service Centre

Australian Customers

Mail: Locked Bag 2000
Botany NSW 1455
AUSTRALIA

Phone: 1300 139 798

Fax: (02) 9700 1342

Email: Customer Service:
askus@breville.com.au

Web: www.breville.com.au

New Zealand Customers

Mail: Private Bag 94411
Manukau 2163
Auckland NEW ZEALAND

Phone: 0800 273 845

Fax: 0800 288 513

Email: Customer Service:
askus@breville.co.nz

Web: www.breville.co.nz

Breville®
Thought for food

Breville is a registered trademark of Breville Pty. Ltd. A.B.N. 98 000 092 928.
Copyright Breville Pty. Ltd. 2017.

Due to continued product improvement, the products illustrated/photographed
in this brochure may vary slightly from the actual product.

LTA620 - LTA650 - LTA670 - A17